

## NVR-100H-D/P SERIES NVR

### Key Feature

- H.265+/H.265/H.264+/H.264 video compression
- Up to 40/60 Mbps incoming bandwidth, and 60 Mbps outgoing bandwidth
- Up to 4/8-ch network camera inputs
- Up to 4-ch 1080p decoding capability
- HDMI and VGA simultaneous output



### Compression and Recording

- H.265+ compression effectively reduces the storage space by up to 75%
- Full channel recording at up to 4 MP resolution

### Storage and Playback

- 2-ch@4 MP or 4-ch @1080p playback resolution
- 1 SATA interface (up to 6 TB capacity per HDD)

### Smart Function

- Supports line crossing and intrusion detection
- Smart search for the selected area in the video; and smart playback to improve the playback efficiency
- Automatically search and add network cameras after device is activated

### Network & Ethernet Access

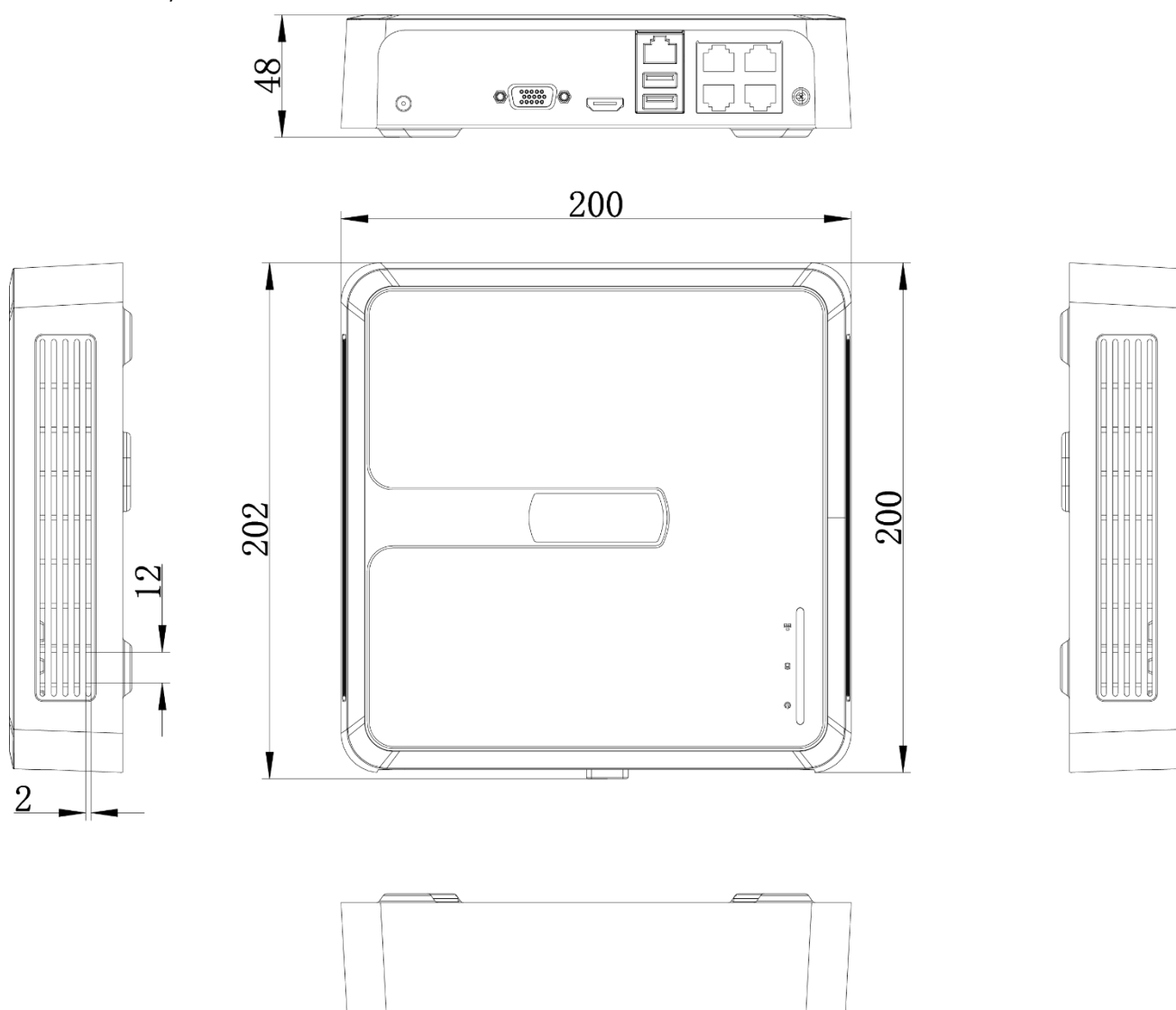
- 4/8 independent PoE network interfaces
- 1 self-adaptive 10/100 Mbps Ethernet interface
- HiLookVision for easy network management

## Specification

Model	NVR-104H-D/4P	NVR-108H-D/8P
<b>Video and Audio</b>		
IP video input	4-ch	8-ch
	Up to 4 MP resolution	
Incoming bandwidth	40 Mbps	60 Mbps
Outgoing bandwidth	60 Mbps	
HDMI output	1-ch, 1920 × 1080p/60Hz, 1280 × 1024/60Hz, 1280 × 720/60Hz, 1024 × 768/60Hz	
VGA output	1-ch, 1920 × 1080p/60Hz, 1280 × 1024/60Hz, 1280 × 720/60Hz, 1024 × 768/60Hz, HDMI/VGA simultaneous output	
<b>Decoding</b>		
Decoding format	H.265+/H.265/ H.264+/H.264	
Recording resolution	4 MP/3 MP/1080p/UXGA /720p/VGA/4CIF/DCIF/ 2CIF/CIF/QCIF	
Synchronous playback	4-ch	8-ch
Capability	4-ch@1080p (25 fps), 2-ch@4 MP (25 fps)	
Stream type	Video, Video & Audio	
<b>Network</b>		
Remote connection	16	
Network protocol	TCP/IP, DHCP, HiLookVision, DNS, DDNS, NTP, SADP, SMTP, UPnP™	
Network interface	1, RJ-45 10/100 Mbps self-adaptive Ethernet interface	
<b>PoE</b>		
Interface	4, RJ-45 10/100 Mbps self-adaptive Ethernet interface	8, RJ-45 10/100 Mbps self-adaptive Ethernet interface
Power	≤ 36 W	≤ 75 W
Supported standard	IEEE 802.3 af/at	
<b>Auxiliary interface</b>		
SATA	1 SATA interface	
Capacity	Up to 6 TB capacity for each disk	
Alarm in/out	N/A	
USB interface	Rear panel: 2 × USB 2.0	
<b>General</b>		
Power supply	48 VDC, 1 A	48 VDC, 1.8 A
Consumption (without HDD and PoE off)	≤ 10 W	
Working temperature	-10 °C to 55 °C (14 °F to 131 °F)	
Working humidity	10% to 90%	
Dimension (W × D × H)	200 × 200 × 48 mm (7.9" × 7.9" × 1.9")	285 × 210 × 48 mm (11.2" × 8.3" × 1.9")
Weight (without HDD)	≤ 1 kg (2.2 lb)	
<b>Certification</b>		
FCC	Part 15 Subpart B, ANSI C63.4-2014	
CE	EN50130-4, EN 61000-3-2, EN 61000-3-3	

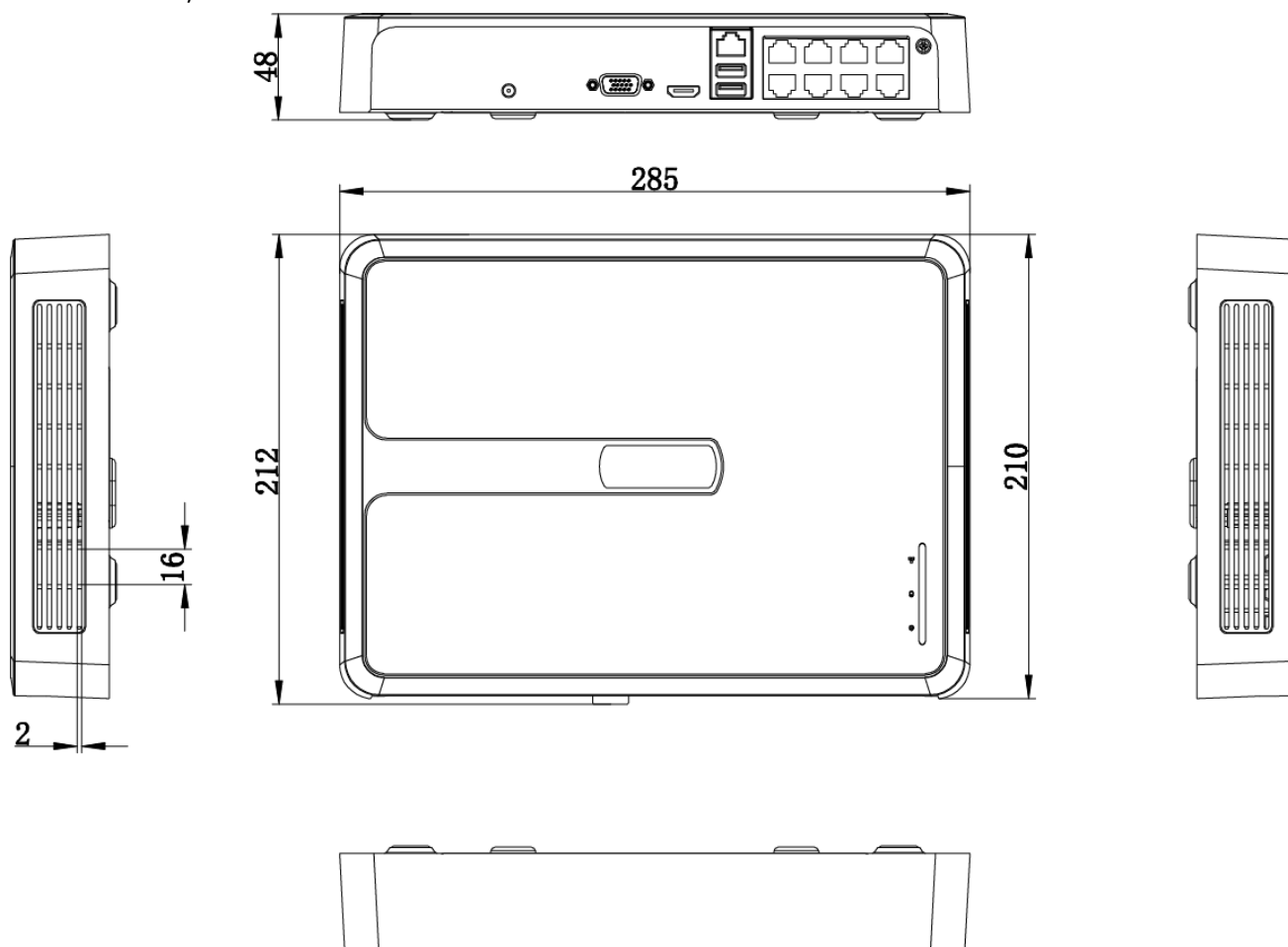
## Dimension

For NVR-104H-D/4P

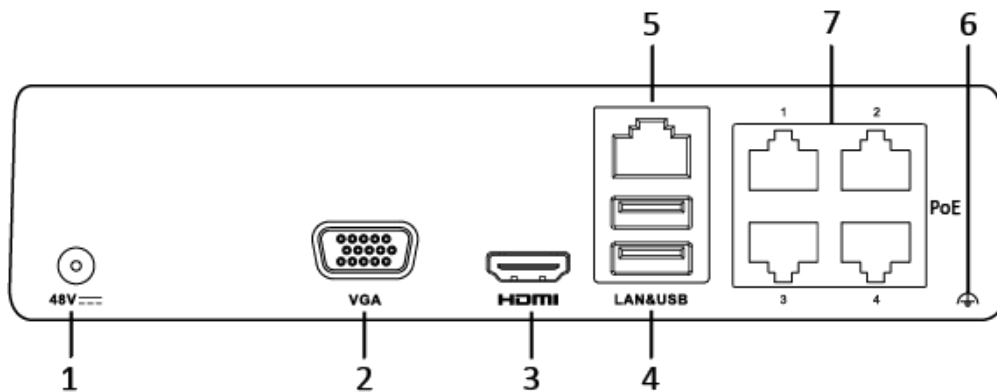


Unit: mm

For NVR-108H-D/8P



## Physical Interface



\*: The rear panel of NVR-108H-D/8P provides 8 PoE interfaces.

No.	Description	No.	Description
1	Power supply	5	LAN Network Interface
2	VGA interface	6	Ground
3	HDMI interface	7	Network Interfaces with PoE function
4	USB interface		

## Available Model

NVR-104H-D/4P, NVR-108H-D/8P